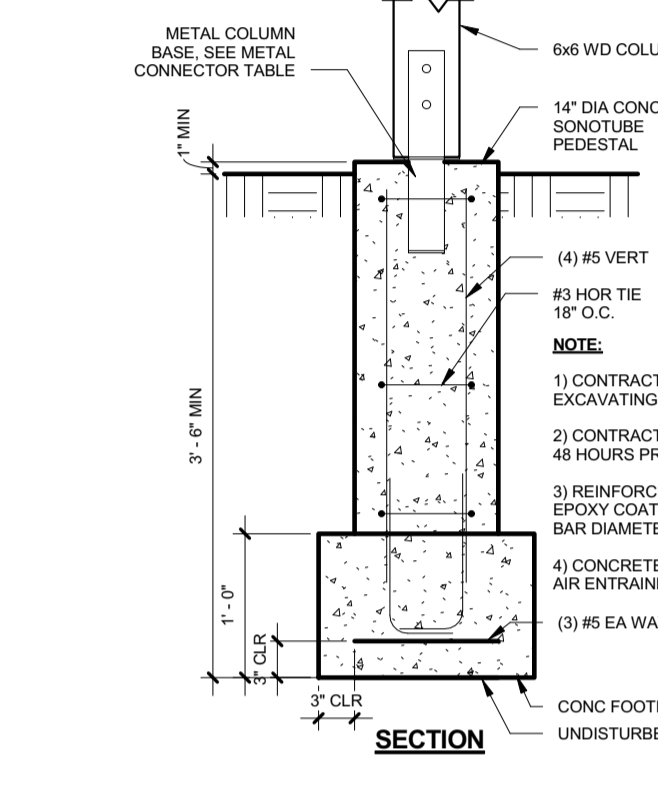
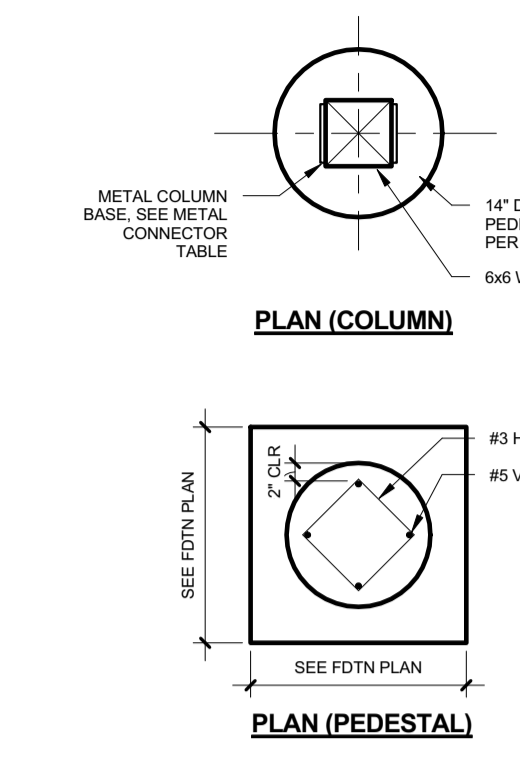
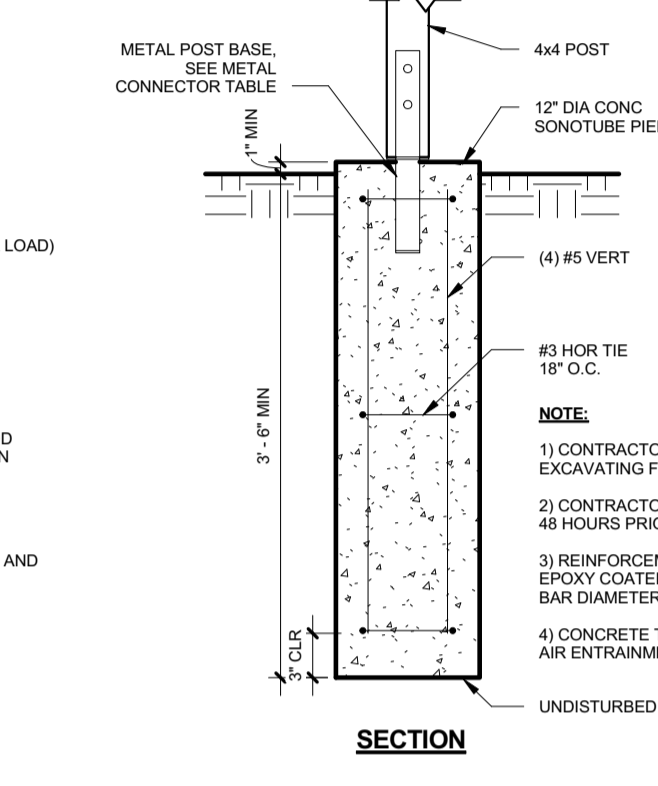
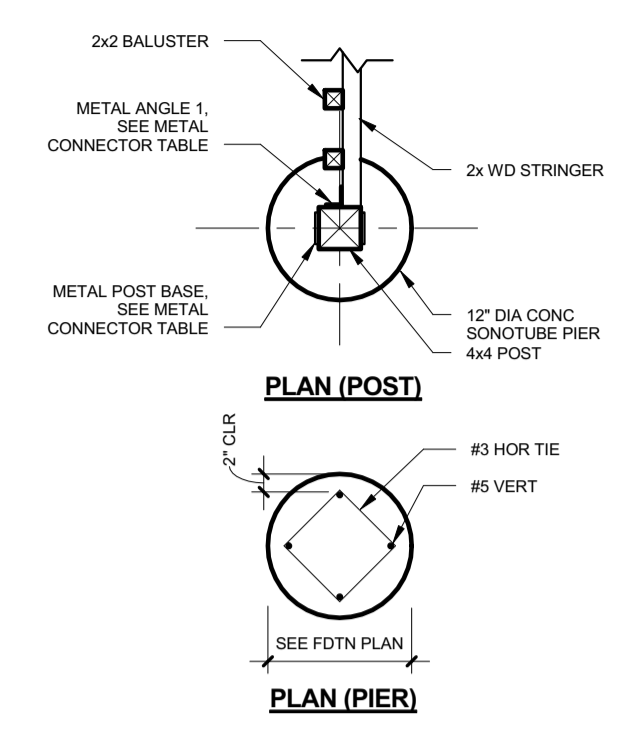
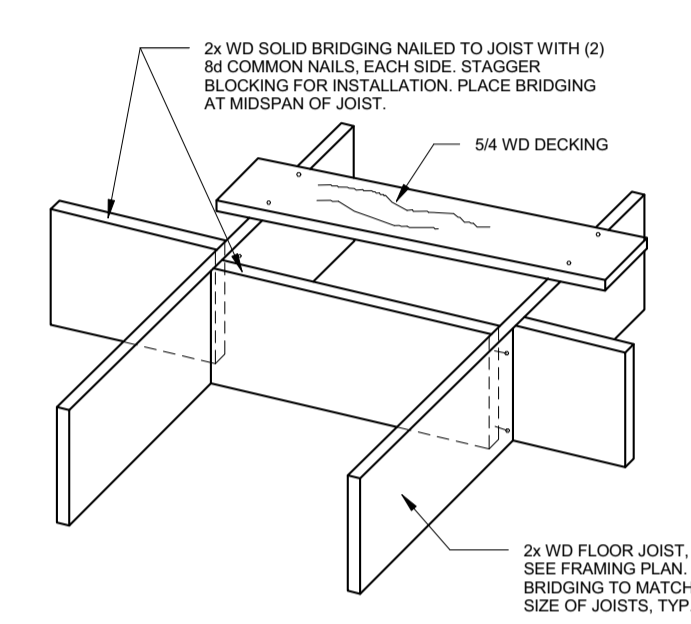


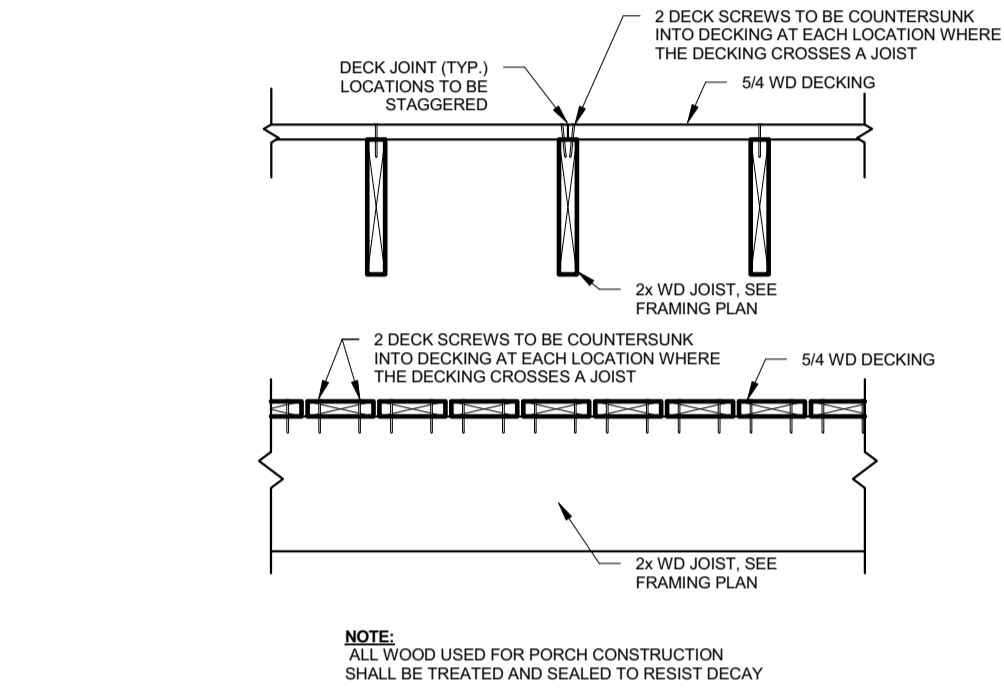
3 TYP COLUMN SPLICE DETAIL
3/4" = 1'-0"



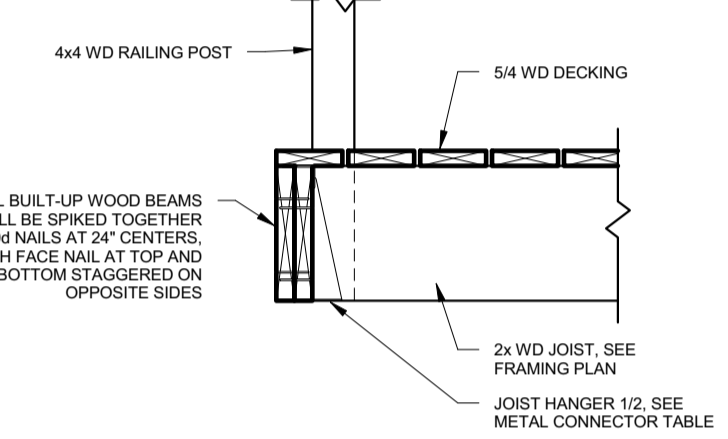
1 STANDARD FOOTING
3/4" = 1'-0"



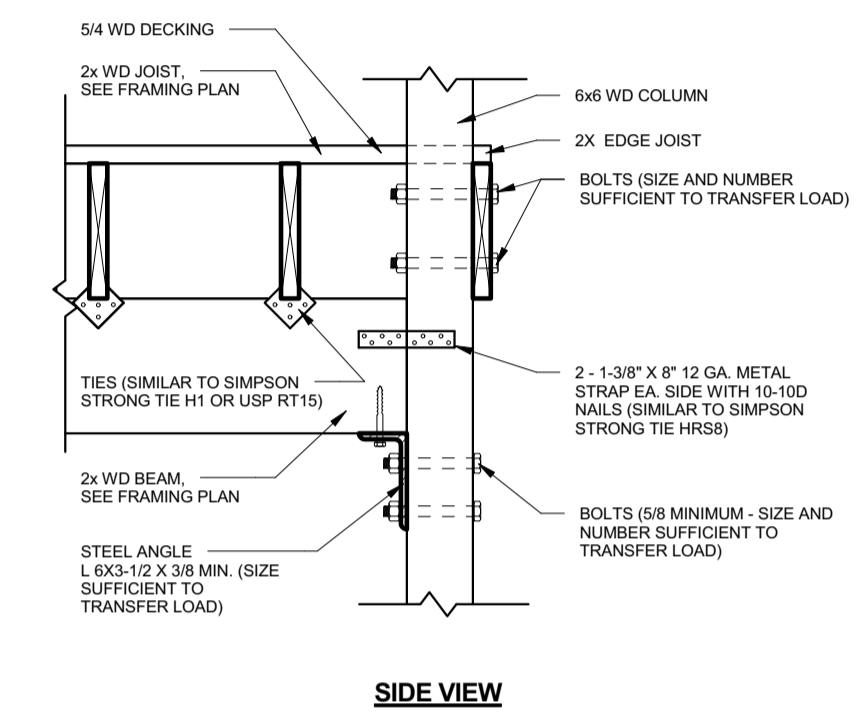
10 TYP JOIST BRACING
1/4" = 1'-0"



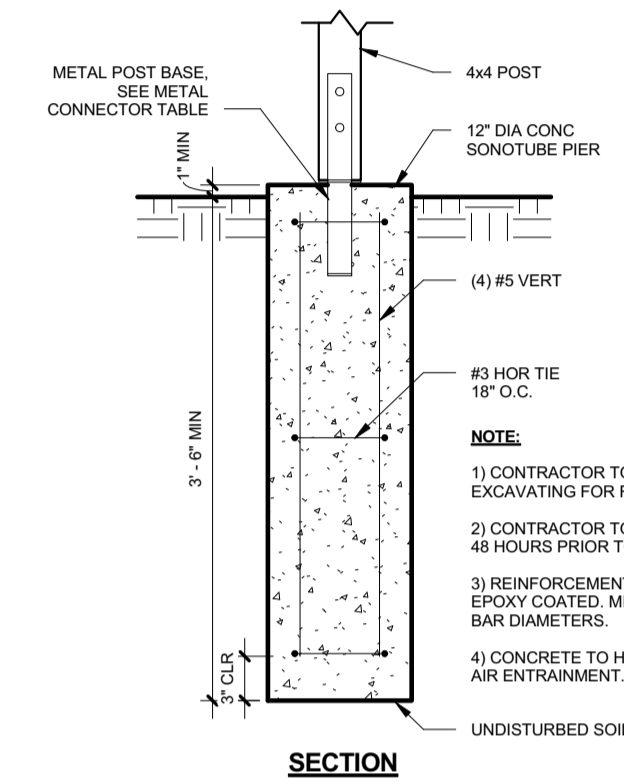
9 TYP DECK / JOIST CONNECTION
3/4" = 1'-0"



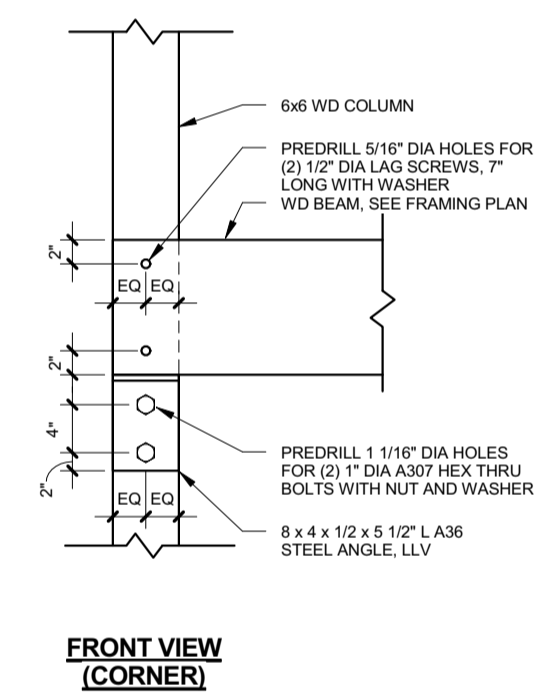
8 TYP JOIST / BEAM CONNECTION
3/4" = 1'-0"



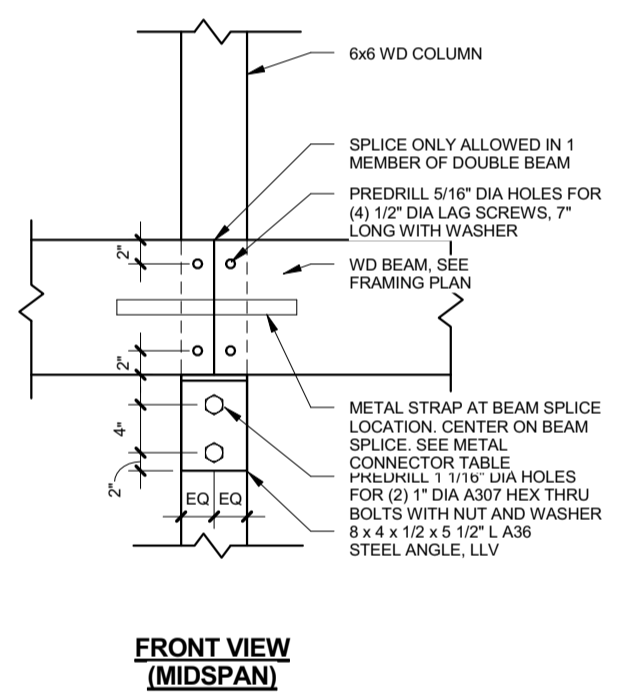
7 TYP BEAM TO POST CONNECTION
3/4" = 1'-0"



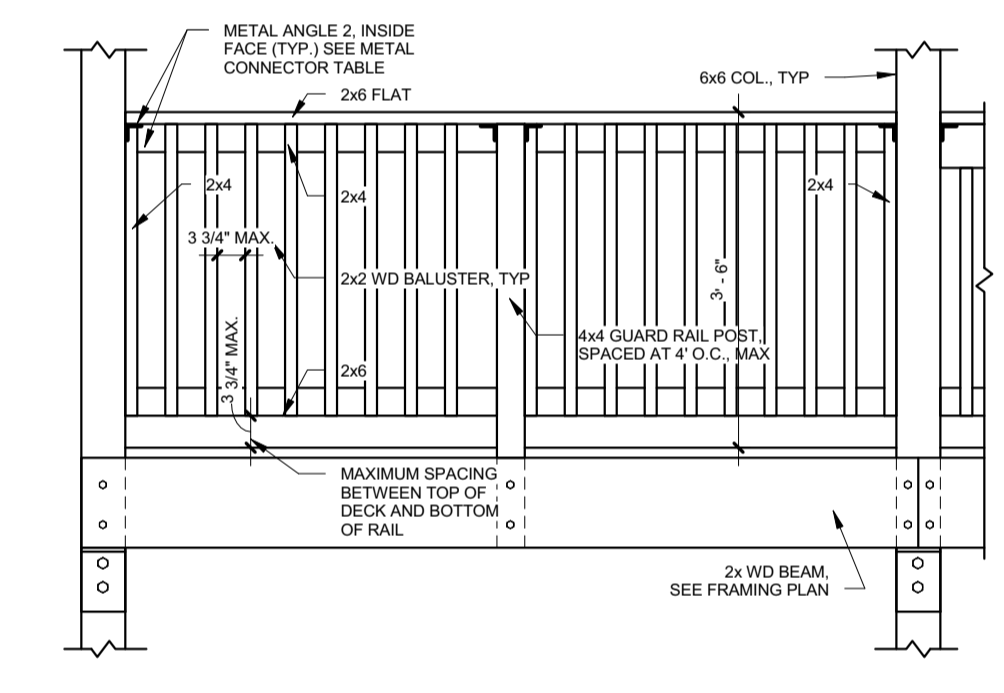
2 STAIR STRINGER FOOTING
3/4" = 1'-0"



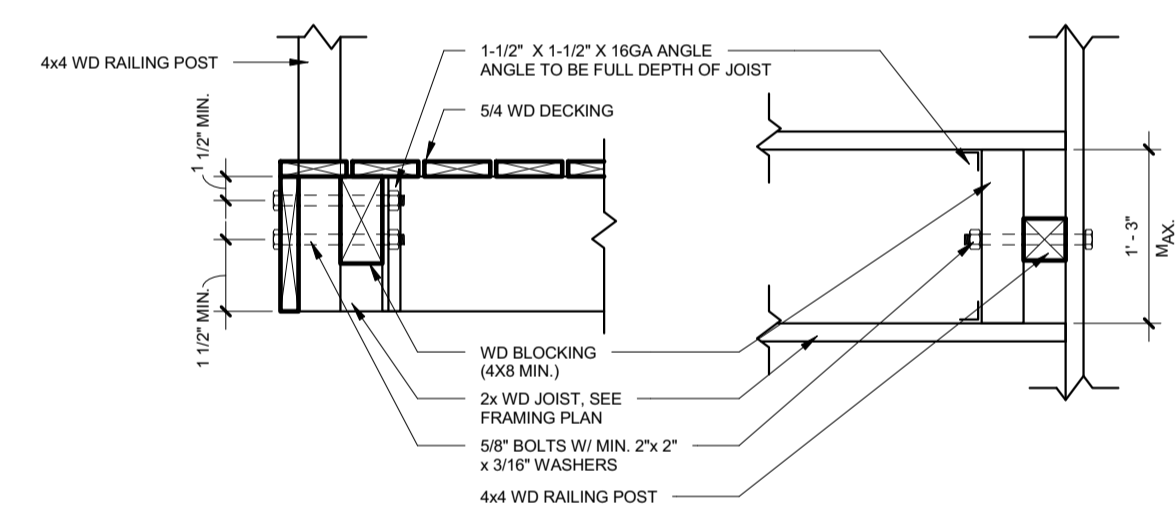
14 TYP COL / BEAM CONNECTION
3/4" = 1'-0"



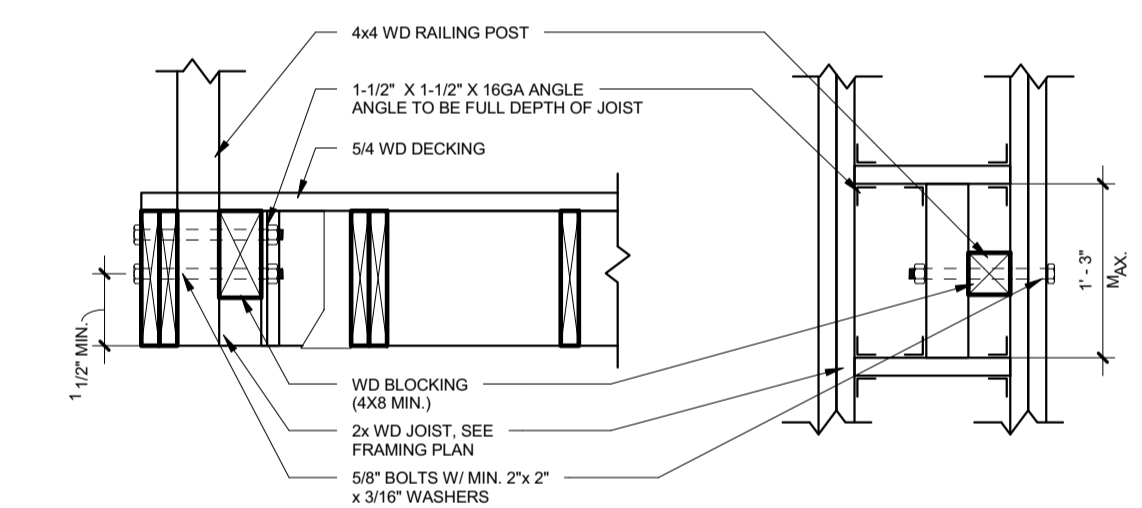
9 TYP DECK / JOIST CONNECTION
3/4" = 1'-0"



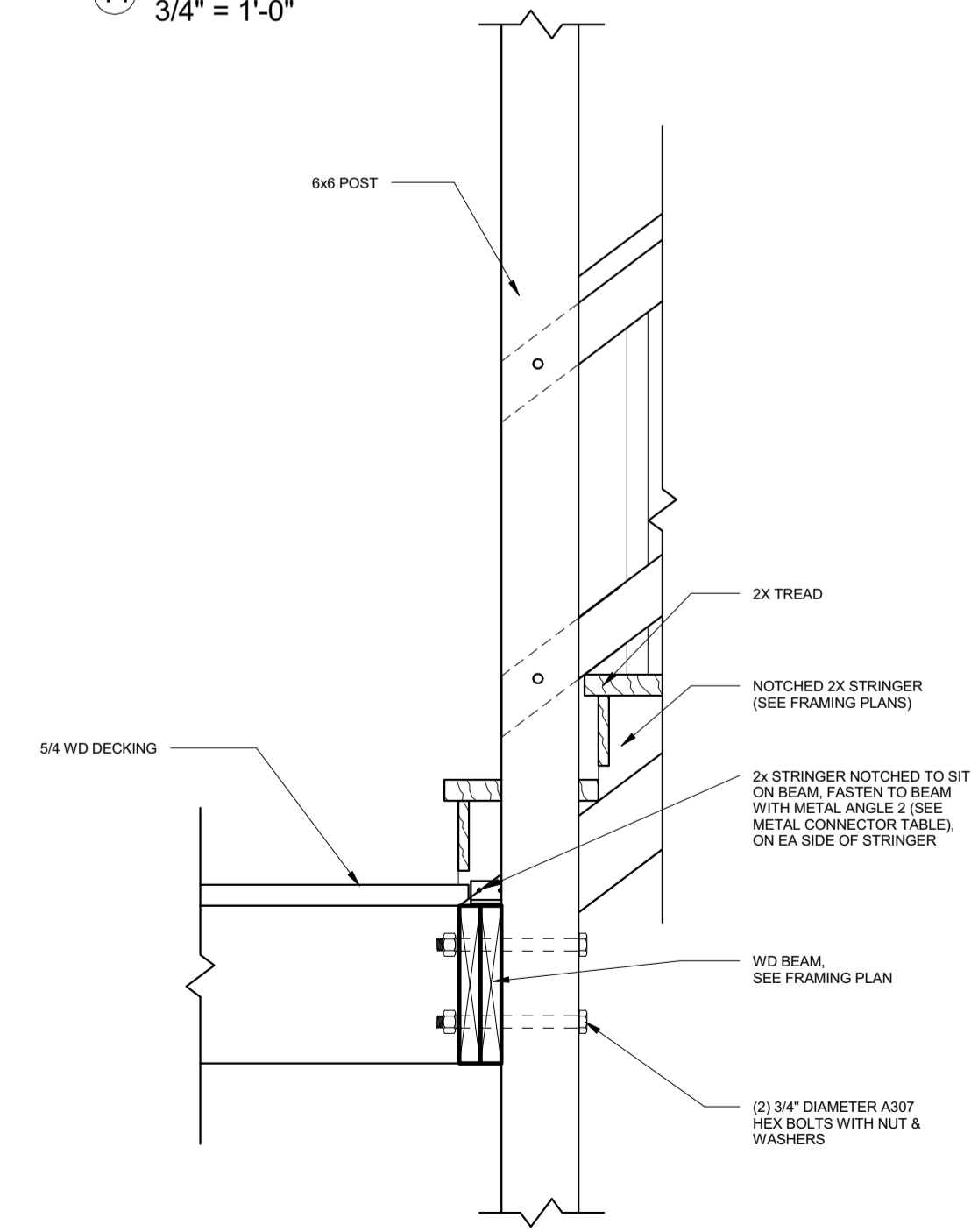
13 TYP RAILING ELEVATION
1/2" = 1'-0"



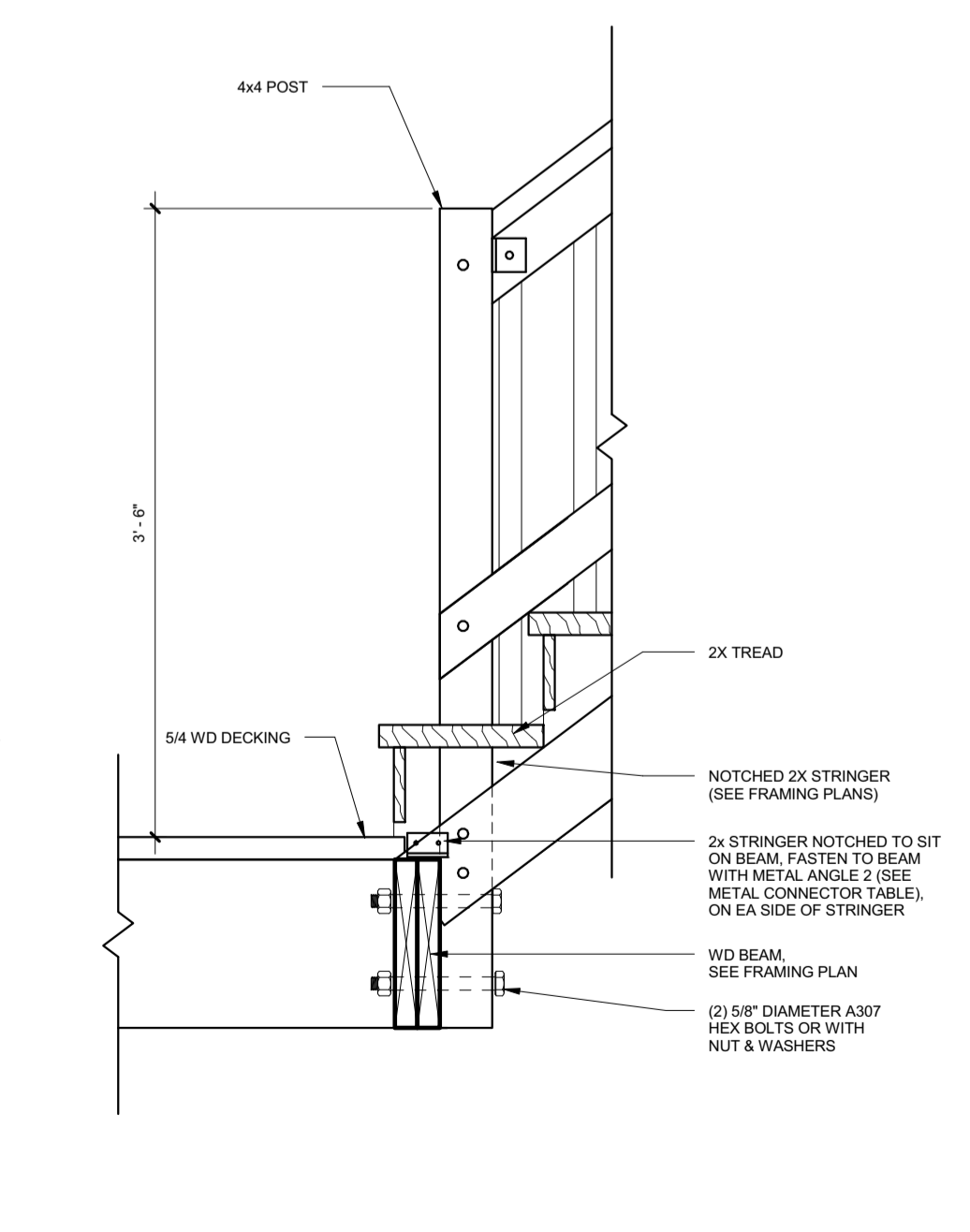
12 GRDRAIL POST W/JST NORMAL TO EDGE
3/4" = 1'-0"



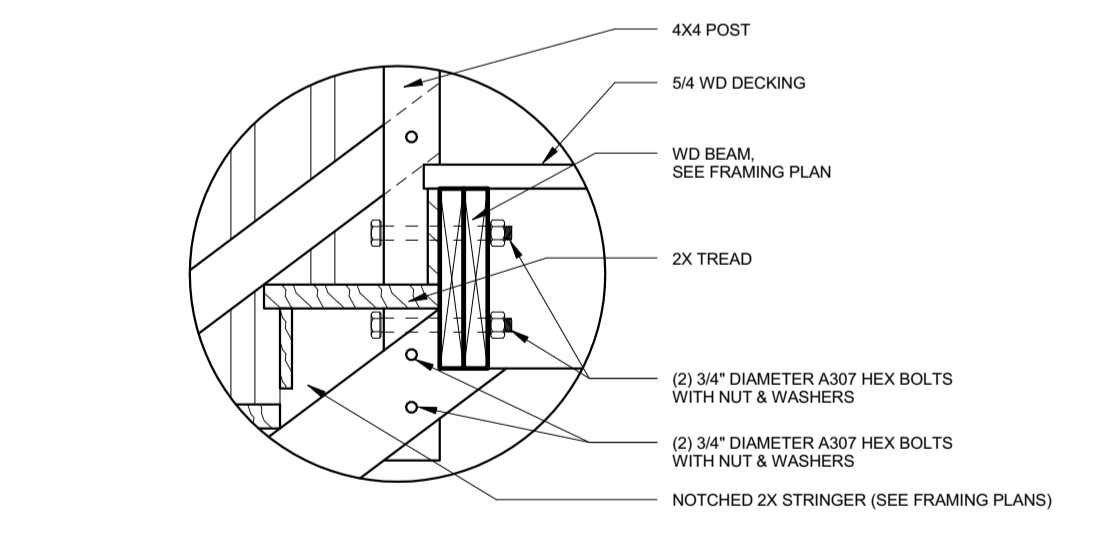
11 GRDRAIL POST W/ JSTS PARALLEL TO EDGE
3/4" = 1'-0"



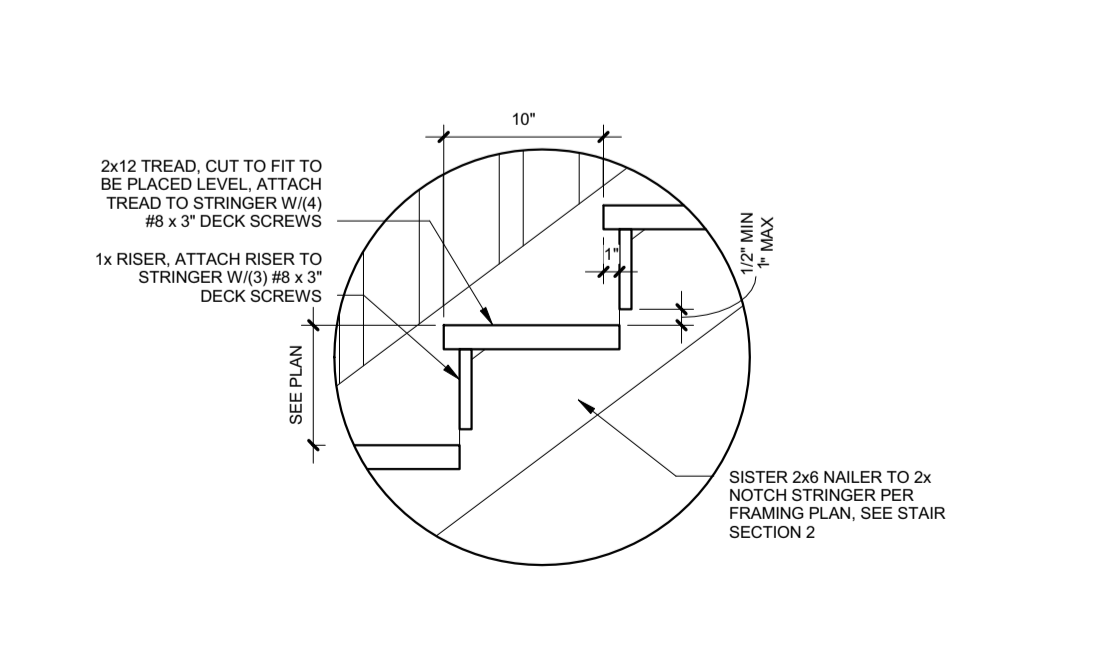
20 STAIR CONNECTION AT 6X6 POST
1" = 1'-0"



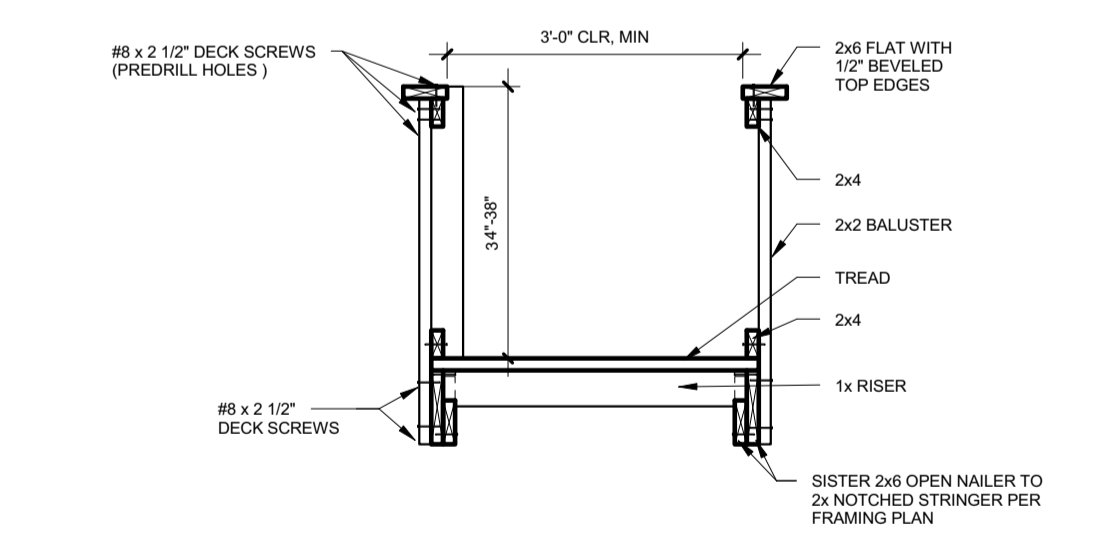
19 STAIR DETAIL @ BOT
1" = 1'-0"



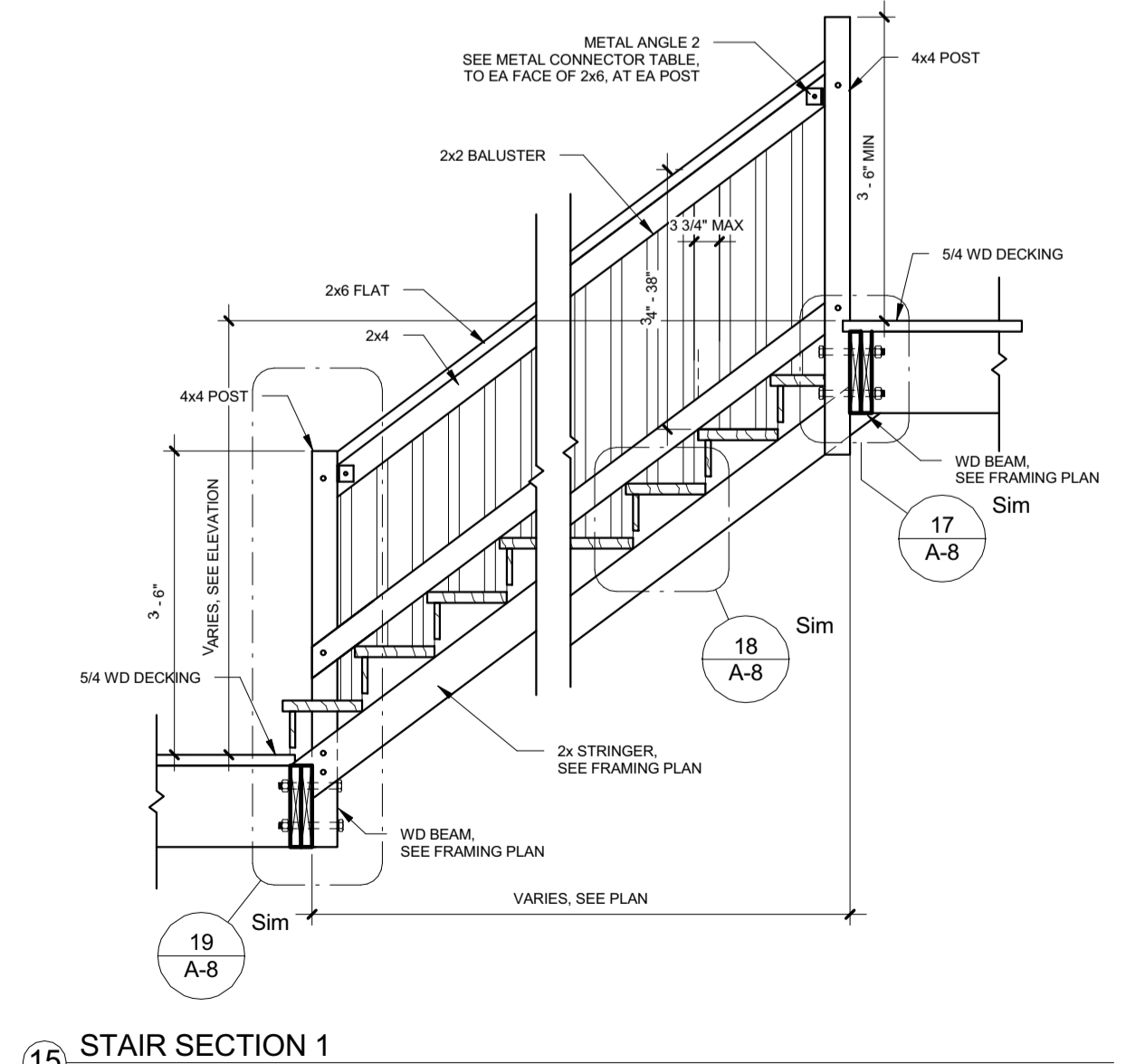
17 STAIR DETAIL @ TOP
1" = 1'-0"



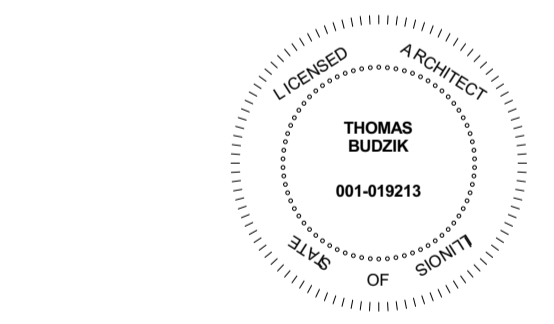
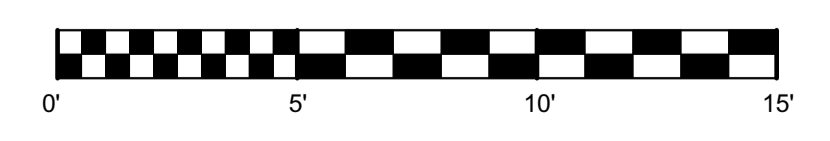
18 STAIR DETAIL
1" = 1'-0"



16 STAIR SECTION 2
1/2" = 1'-0"



15 STAIR SECTION 1
1/2" = 1'-0"



No.	Description	Date
1	ISSUED FOR PERMIT	10/22/14

Project Name and Address
**BNS PROPERTIES, LLC
INTERIOR ALTS AND ADD.
TO EXST. MULTI-UNIT RES**
4112 W POTOMAC
CHICAGO, IL 60651

Project No. 14084
Description STAIR & PORCH DETAILS